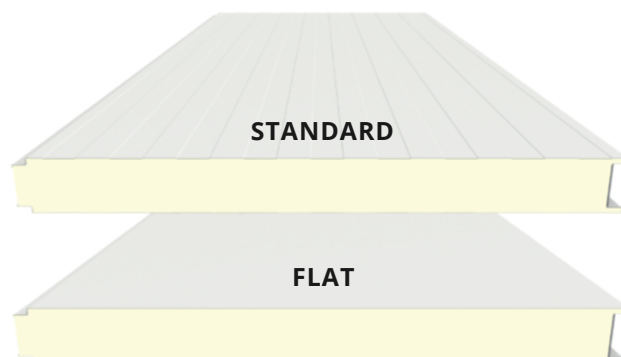


# Cold Room Panels

Insulated Metal Panels composed of steel skins laminated to a minimum of 1.6- inch polyisocyanurate foam core (min 2.3 pcf density).

Panels have a tongue and groove joining system. Its specially designed for use in all types of projects related to refrigeration industry, like the agro-food industry for refrigerated transport and storage of frozen and deep-frozen food.

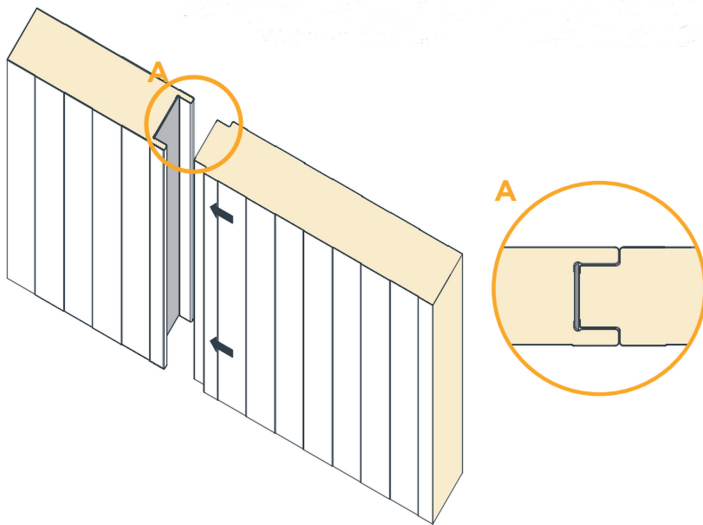


Available in seven different thicknesses. They come in two different exterior finishes (standard and flat) and two different interior finishes (standard and flat), as well as a wide range of available colours.

TECHNICAL SPECIFICATION	VALUES	ARPI INTL. - COLD ROOM PANELS
<b>Panel thickness</b>	40 1 9/16,	50 1 31/32,
	60 2 3/8,	80 3 5/32,
		100 3 15/16,
		120 4 3/4,
		150 6
		mm inch
<b>Useable width</b>	1000 mm (39 3/8")	
<b>Length</b>	Up to 11.900 mm. (39 ft.)	
<b>Field of application</b>	Cold room	
<b>Thicknesses of outer face</b>	mm	0,5 / 0,6 / 0,7
<b>Thicknesses of inner face</b>	GAUGE	26 / 24 / 22
<b>Exterior face</b>	G90 galvanized or AZ50 aluminum-zinc, coated steel in	
<b>Interior face</b>	.26 GA and above	
<b>Coatings</b>	Polyester 25um (1 mil)	
	PVDF 25um / 35um (1 mil / 1.38 mils)	
	Granite HDX / SDP 50 (2,16 mils)	
<b>Outer ribbing</b>	Standard / flat	
<b>Inner ribbing</b>	Standard / flat	
<b>Type of core</b>	Polyisocyanurate (PIR)	
<b>Core Density</b>	40 Kg/m3 (2.3 PCF)	

## FUNCTIONS AND BENEFITS OF ARPI INTL. PANELS

- Excellent aesthetics
- High thermal insulation capacity
- High mechanical strength
- High dimensional stability
- Water vapour tight
- A versatile material that allows any configuration
- Quick to install and easy to maintain
- Easily removable
- Made to measure, avoids waste
- Resistant to aggressive environment



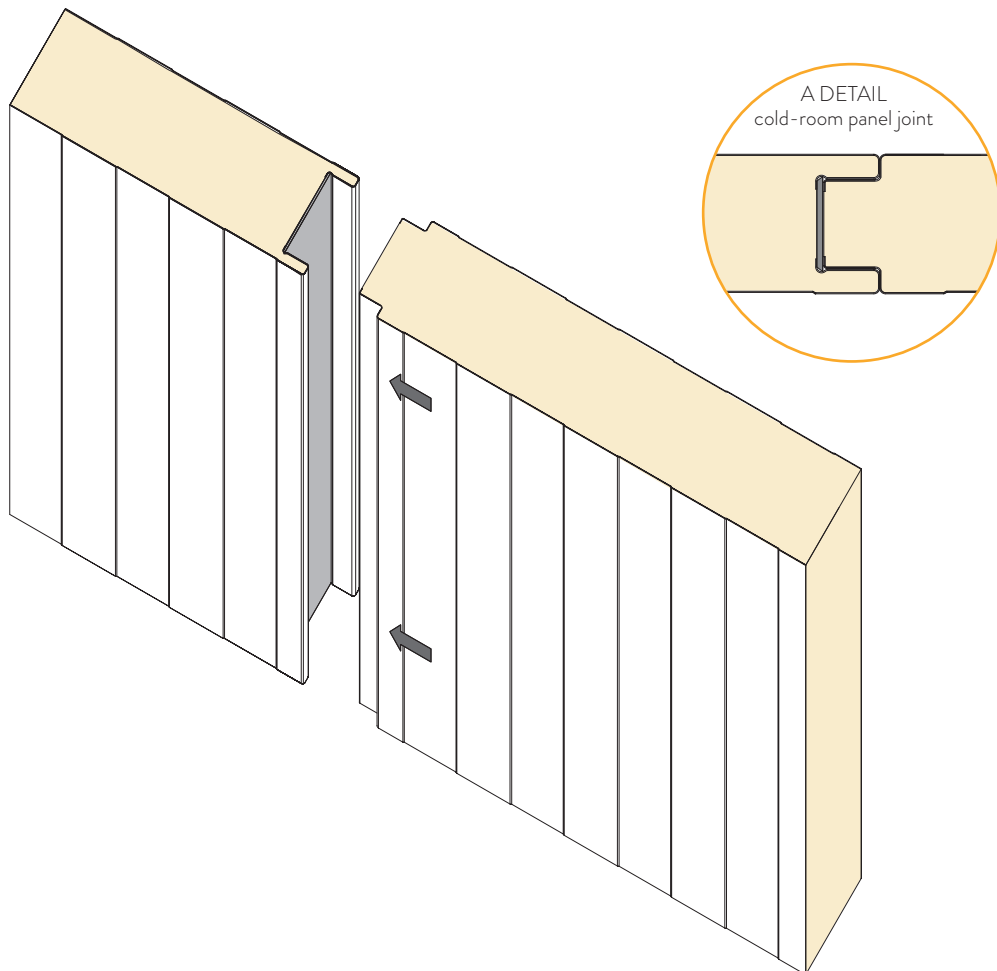
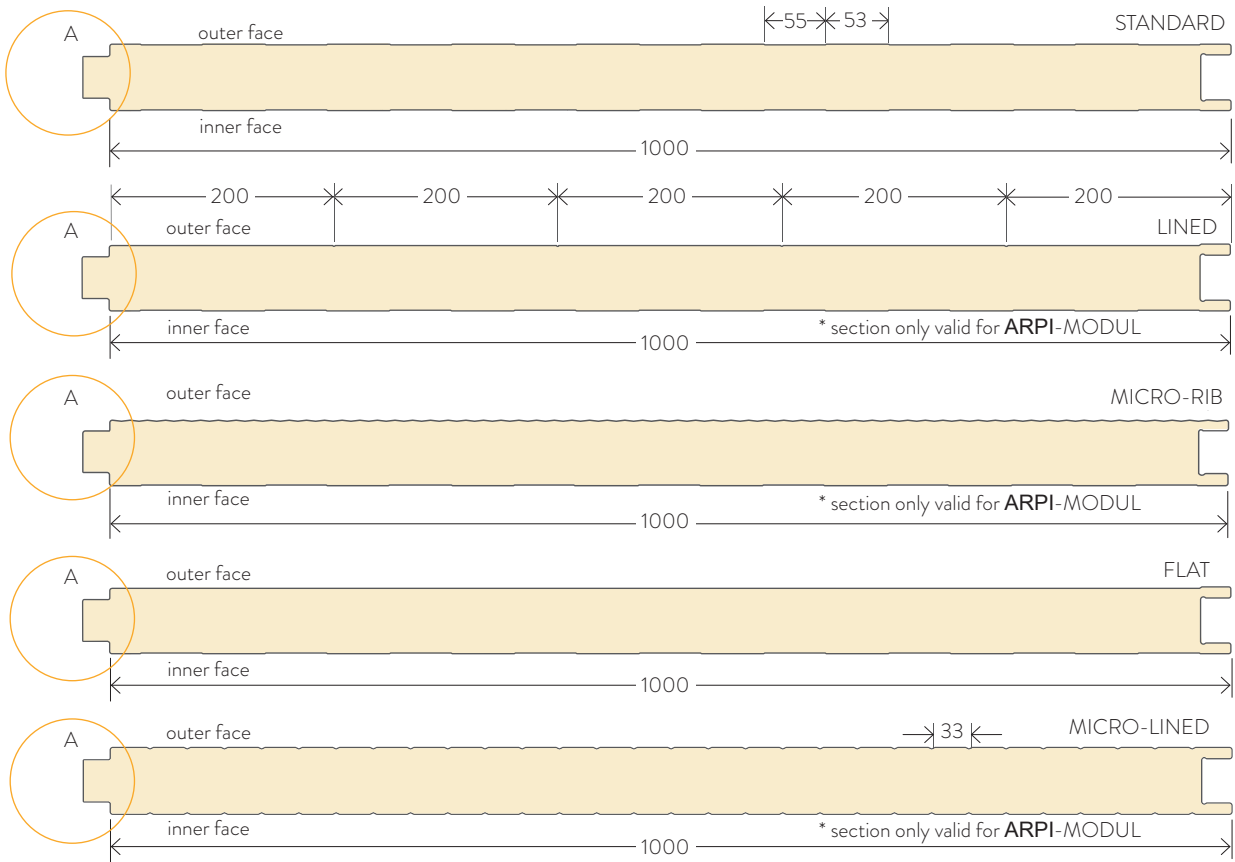
Panel thickness	Panel weight	U-Value	R-Value
mm (")	LB/ft2	BTU/Hr ft2 °F	Hr ft2 °F/BTU
40 (1 <sup>9</sup> / <sub>16</sub> ")	2.06	0.097	16.299
50 (1 <sup>31</sup> / <sub>32</sub> ")	2.14	0.075	19.322
60 (2 <sup>3</sup> / <sub>8</sub> ")	2.22	0.060	22.547
80 (3 <sup>5</sup> / <sub>32</sub> ")	2.38	0.044	28.712
100 (3 <sup>15</sup> / <sub>16</sub> " )	2.55	0.035	34.745
120 (4 <sup>3</sup> / <sub>4</sub> " )	2.71	0.029	40.728
120 (6" )	2.96	0.023	49.634

## TESTING AND APPROVALS

ARPI International cold-room panels meet the most demanding requirements. We have large experience in producing insulated metal panels in our continuous production line.

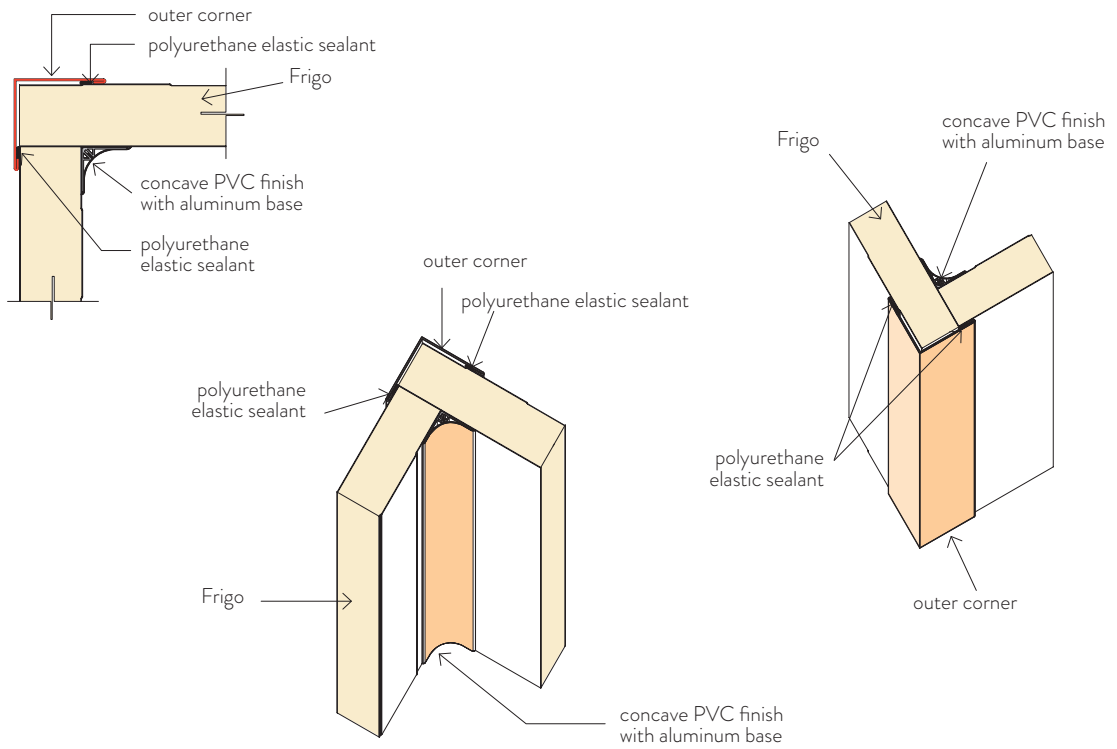
TEST	VALUES	RESULTS
<b>Fire</b>	ASTM E 84	Flame spread index 20 Smoke developed index 300
<b>Strength</b>	ASTM E 8	> 32 ksi steel

## PROFILES AND TYPE ARPI/MODUL JOINT:

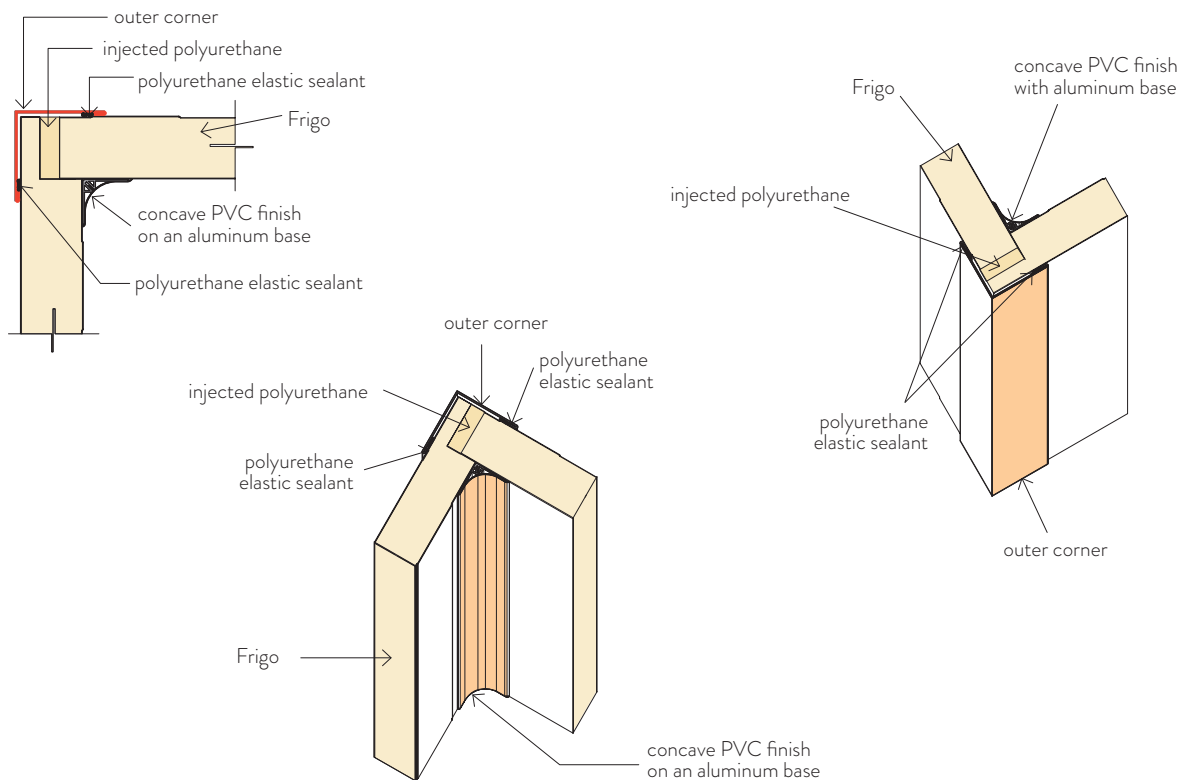


Technical assistance:

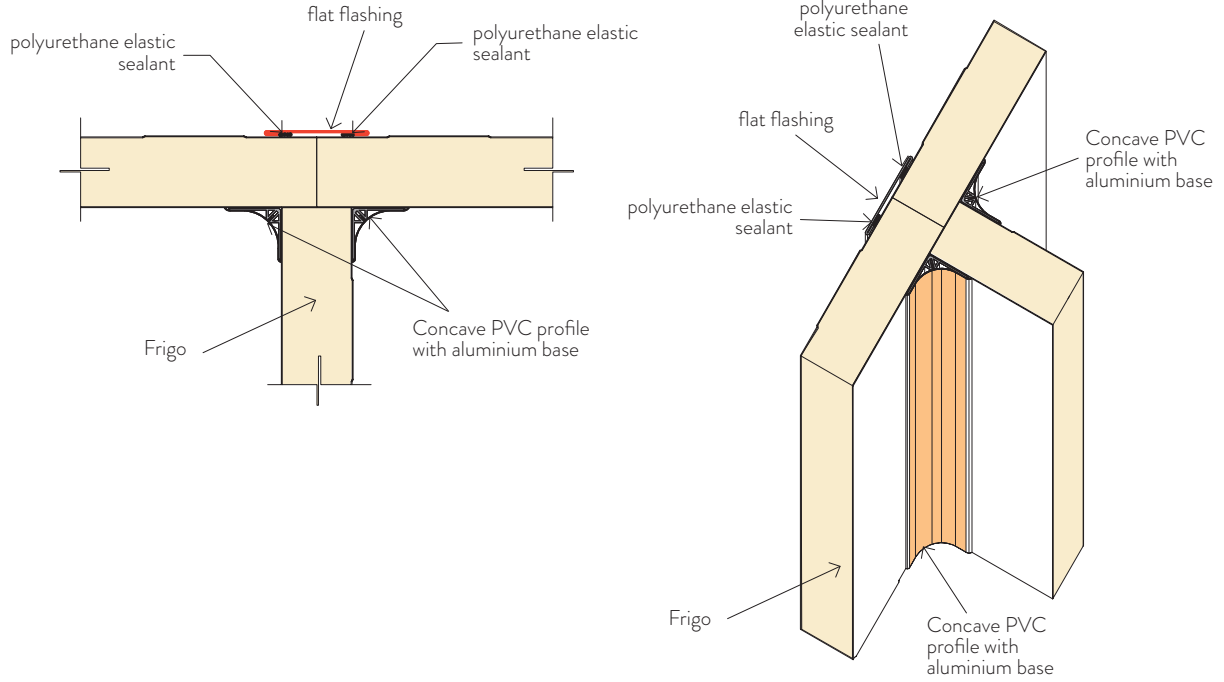
**COLD ROOM CORNER JOINT (ROOM TEMPERATURE > 0 °C)**



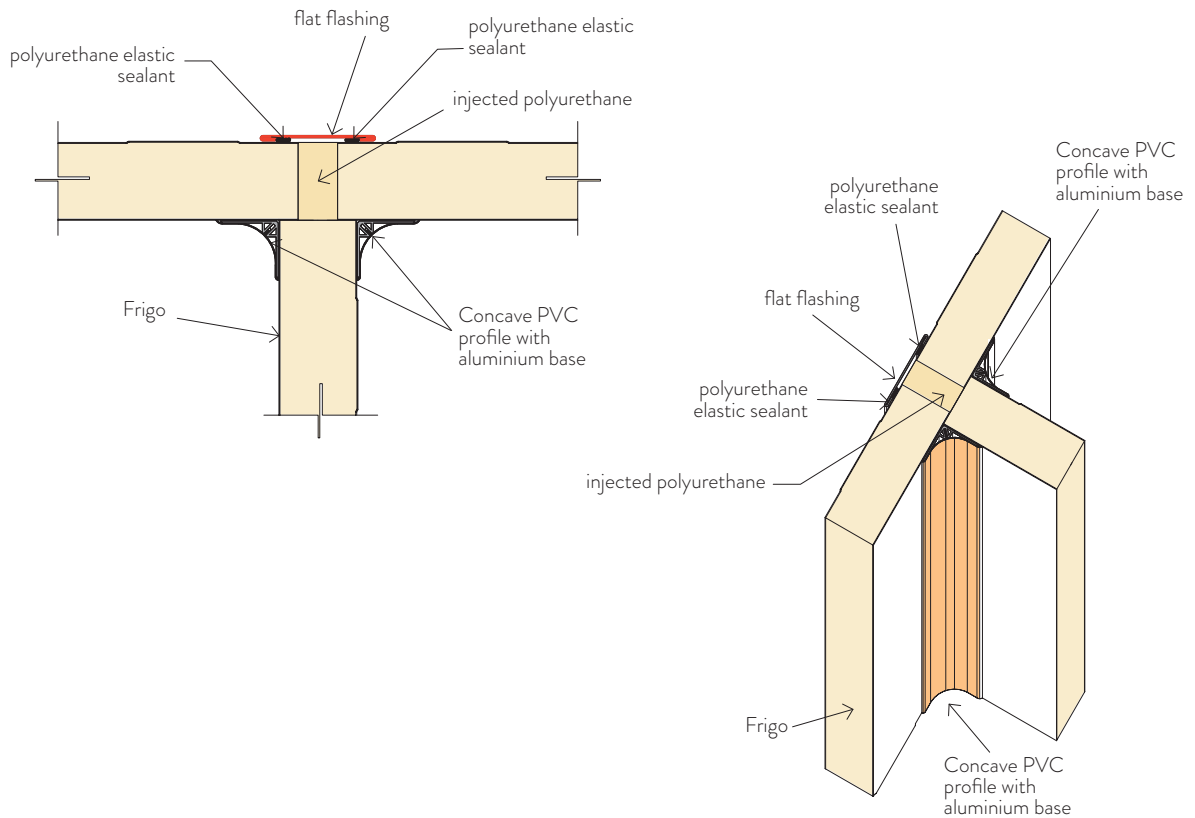
**COLD ROOM CORNER JOINT (ROOM TEMPERATURE < 0 °C)**



**DOUBLE CORNER COLD ROOM JOINT: (ROOM TEMPERATURE > 0 °C)**

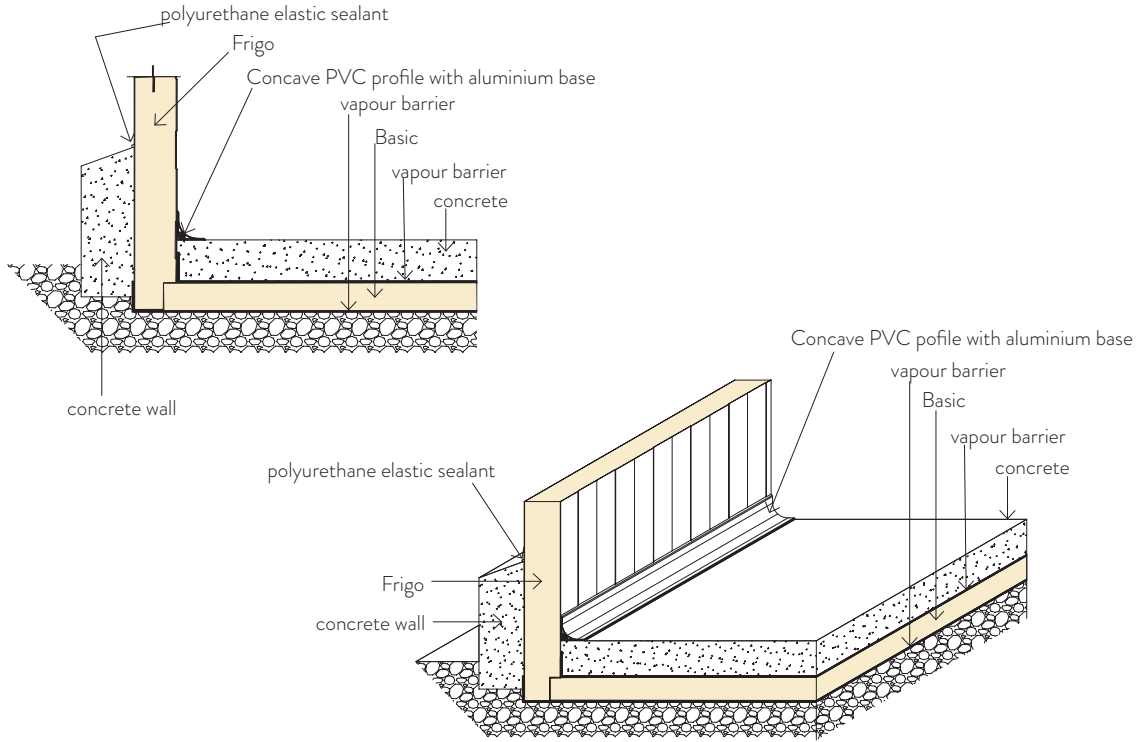


**DOUBLE CORNER COLD ROOM JOINT: (ROOM TEMPERATURE < 0 °C)**

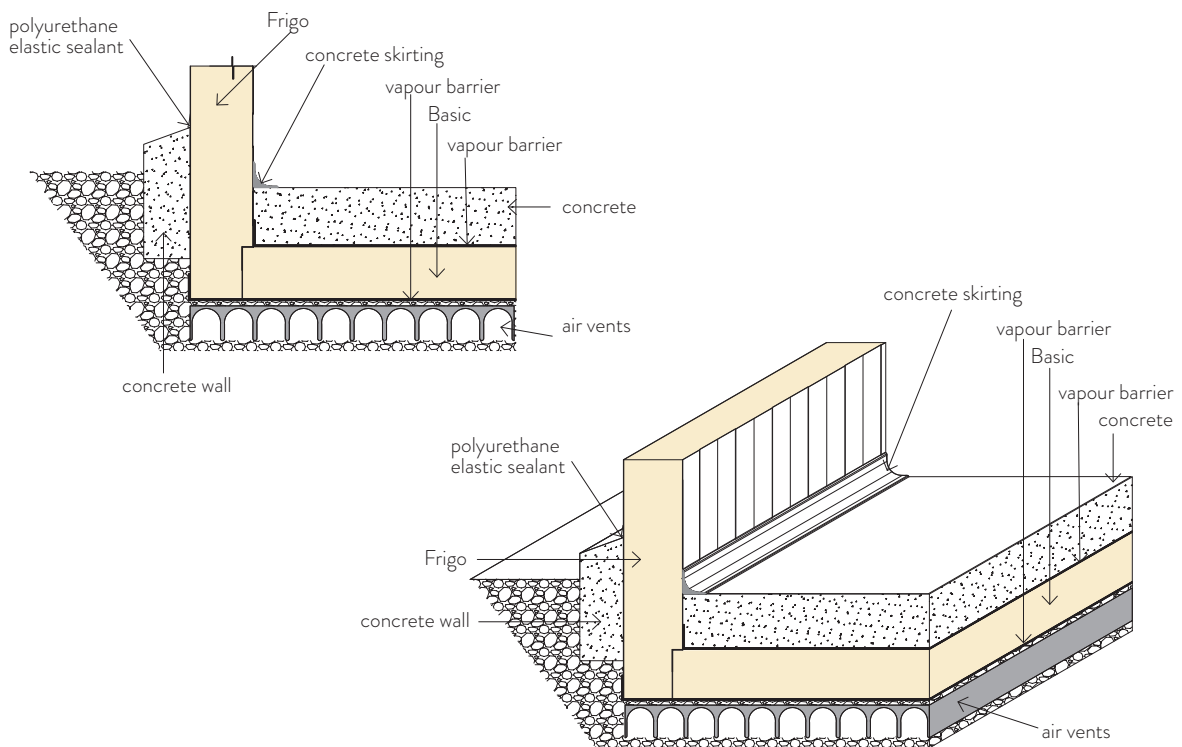


Technical assistance:

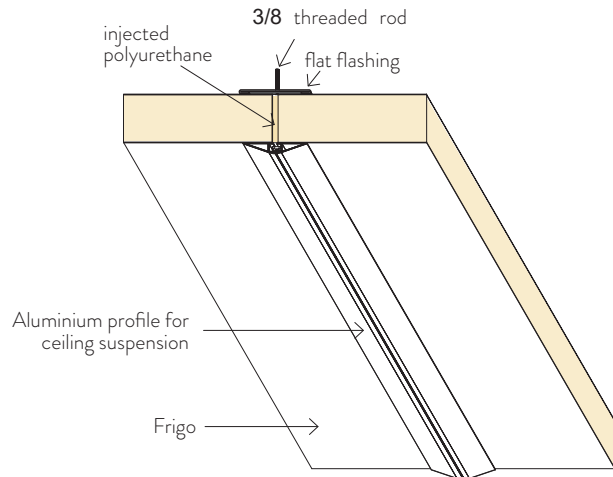
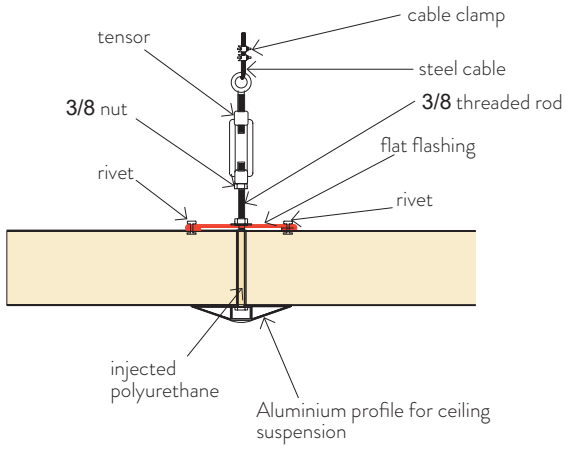
**COLD ROOM WALL-FLOOR JOINT: (ROOM TEMPERATURE > 0 °C)**



**COLD ROOM WALL-FLOOR JOINT: (ROOM TEMPERATURE < 0 °C)**



## COLD-ROOM CEILING LONGITUDINAL SUSPENSION:



## COLD ROOM CEILING POINT SUSPENSION:

